

# Electric Powered Forklift 2.5 - 3.0 ton

**BT cargo**

C4E250NV

C4E300NV



# Electric Powered Forklift 2.5-3.0 ton

Truck specifications					C4E250NV	C4E300NV
Identification	1.1	Manufacturer			BT	BT
	1.2	Model			C4E200NV	C4E300NV
	1.3	Drive			Electric	Electric
	1.4	Operator type			Rider seated	Rider seated
	1.5	Load capacity/rated load	Q	kg	2500	3000
	1.6	Load centre	c	mm	500	500
	1.8	Load distance, centre of drive axle to fork	x	mm	442 <sup>1)</sup>	447 <sup>1)</sup>
	1.9	Wheelbase	y	mm	1390	1540
	Weight	2.1	Service weight		kg	4830
2.2		Axle load, with load, front/rear		kg	6350/980	7490/820
2.3		Axle load, without load, front/rear		kg	2175/2655	2575/2735
Tyres	3.1	Tyres: Cushion (C), Pneumatic (PN), Superelastic (SE), Twin (TW)			C/SE/PN/SE.TW/PN.TW	C/SE
	3.2	Tyre size, front			559x203/23x9-10/23x9-10/6,50-10/6,50-10	559x229/23x10-12
	3.3	Tyre size, rear			457x152/18x7-8/18x7-8/—	457x152/18x7-8/—
	3.5	Wheels, number front/rear (x=driven wheels)			2x-4x/2	2x-2x/2
	3.6	Track width, front	b <sub>10</sub>	mm	929/938/938/1175/1175	911/940
	3.7	Track width, rear	b <sub>11</sub>	mm	852/860/860/—	852/860/—
	Dimensions	4.1	Tilt of mast/fork carriage forward/backward			$\alpha/\beta$ deg
4.2		Height, mast lowered			h <sub>1</sub> mm	2225
4.4		Lift			h <sub>3</sub> mm	3160
		Lift height			h <sub>23</sub> mm	3200
4.5		Height, mast extended			h <sub>4</sub> mm	3829
4.7		Height of overhead guard (cab)			h <sub>6</sub> mm	2307
4.8		Seat height/stand height			h <sub>7</sub> mm	1231
4.12		Coupling height			h <sub>10</sub> mm	415
4.19		Overall length			l <sub>1</sub> mm	3152
4.20		Length to face of forks			l <sub>2</sub> mm	2152 <sup>1)</sup>
4.21		Overall width			b <sub>1</sub> mm	1112/1145
4.22		Fork dimensions			s/e/l mm	40x120x1000
4.23		Fork carriage DIN 15 173, class/type A, B				IIA
4.31		Ground clearance, with load, below mast			m <sub>1</sub> mm	103
4.32		Ground clearance, centre of wheelbase			m <sub>2</sub> mm	116
4.33	Aisle width for pallets 1000 x 1200 crossways			A <sub>st</sub> mm	3656 <sup>1)</sup>	
4.34	Aisle width for pallets 800 x 1200 lengthways			A <sub>st</sub> mm	3856 <sup>1)</sup>	
4.35	Turning radius			W <sub>a</sub> mm	2014	
Performance data	5.1	Travel speed, with/without load			km/h	16,0/16,5
	5.2	Lift speed, with/without load			m/s	0,34/0,47
	5.3	Lowering speed, with/without load			m/s	<0,60
	5.5	Drawbar pull, with/without load			N	6700/7100
	5.6	Max. drawbar pull, with/without load			N	12200/12700
	5.7	Gradeability, with/without load			%	7,6/10
	5.8	Max. gradeability, with/without load			%	15,2/22,8
	5.10	Service brake				Hydraulic
Electric motor	6.1	Drive motor rating S2 60 min			kW	14
	6.2	Lift motor rating S3 15%			kW	14
	6.4	Battery voltage, nominal capacity K <sub>5</sub>			V/Ah	80/540-630
	6.5	Battery weight			kg	1653
						1904
Others	8.1	Type of drive control				Inverter MOSFET
	8.2	Operating pressure for attachments			bar	150

1) With side shift = +34 mm

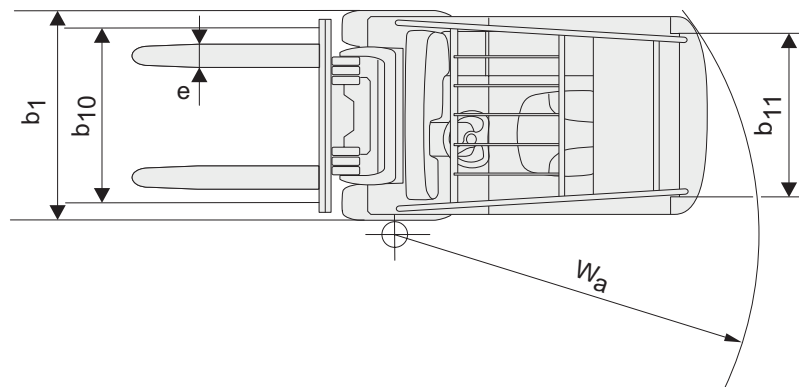
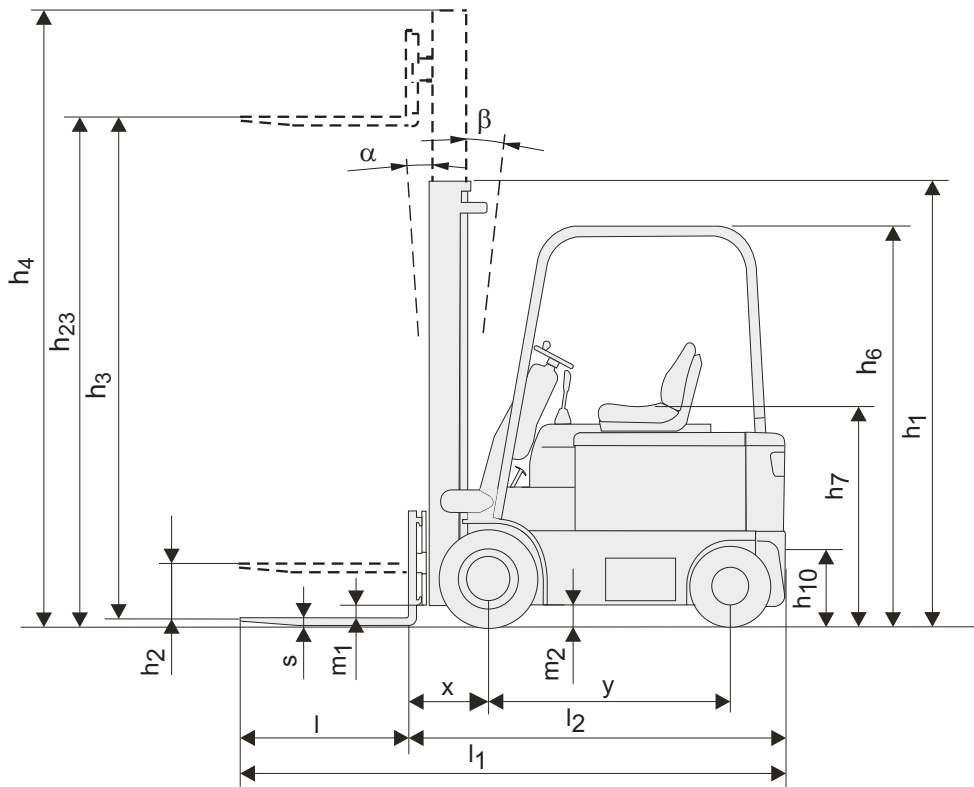
Performance data and dimensions are nominal and subject to tolerances. Specifications are subject to change without notice. Please obtain the latest specifications before contracting products.

# Mast dimensions and rated capacities

# BT cargo

Mast			Duplex			Duplex FFL			Triplex			Triplex FFL		
C4E250NV	Lift height	$h_{23}$	3200	3700	4200	3200	3700	4200	5005	5605	6100	5000	5600	6100
	Lift	$h_3$	3160	3660	4160	3160	3660	4160	4965	5565	6060	4960	5560	6060
	Height, mast lowered	$h_1$	2225	2475	2725	2225	2475	2725	2325	2525	2725	2325	2525	2725
	Height, mast extended	$h_4$	3829	4329	4829	3829	4329	4829	5635	6235	6765	5629	6226	6729
	Free lift	$h_2$	0	0	0	1556	1806	2056	0	0	0	1656	1856	2056

Mast			Duplex			Duplex FFL			Triplex			Triplex FFL		
C4E300NV	Lift height	$h_{23}$	3205	3705	4205	3205	3705	4205	5010	5610	6105	5005	5605	6105
	Lift	$h_3$	3160	3660	4160	3160	3660	4160	4965	5565	6060	4960	5560	6060
	Height, mast lowered	$h_1$	2225	2475	2725	2225	2475	2725	2325	2525	2725	2325	2525	2725
	Height, mast extended	$h_4$	3833	4333	4833	3833	4333	4833	5638	6238	6765	5633	6233	6733
	Free lift	$h_2$	0	0	0	1552	1802	2052	0	0	0	1652	1852	2052



---

## Standard equipment:

- AC technology
- Long forks (length: 1000 mm)
- Tilting mast
- Hydraulic steering
- Sideshift
- Electronic regenerative brakes
- Three driving programs
- Curve cut-back speed
- Clear-view mast
- Adjustable steering wheel



TP-Technical Publications, Sweden — 745579-040, version 1, 1203

